

DOOR CLOSERS

Specification

- Adjustable arm
- Valve for closing speed adjustment.
- Valve for final slam adjustment.
- Grey finish "97".

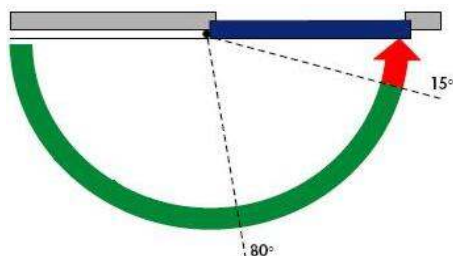




Code	Size	Price
60450	03	
60450	04	

Force table in relation to door size according to UL standards.

Size No.	REGULAR ARM			Door Weight Kgs.
	Internal Door	External Door		
		Swing Out	Swing in	
3	950	900	800	40-60
4	1050	950	900	60-85

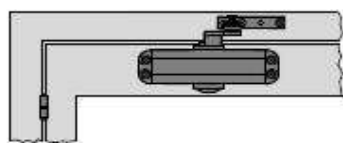
ADJUSTMENTS



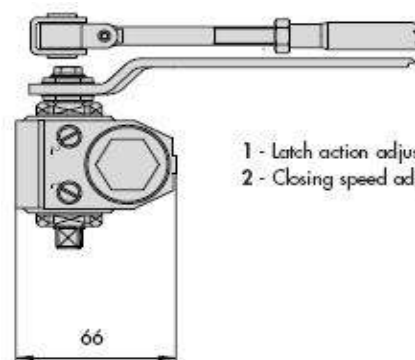
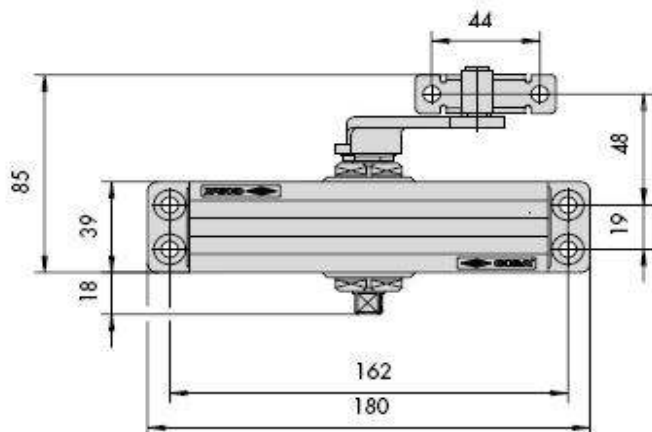
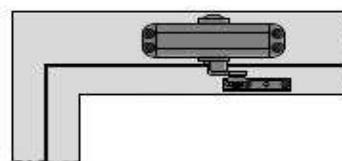
-  Adjustable latch action range
-  Adjustable closing speed range

INSTALLATION

Assembly on the hinge pull side



Assembly on the top jamb push side



- 1 - Latch action adjusting valve
- 2 - Closing speed adjusting valve